

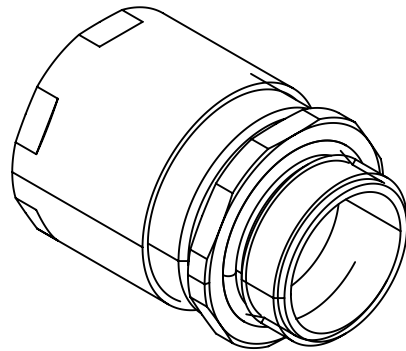
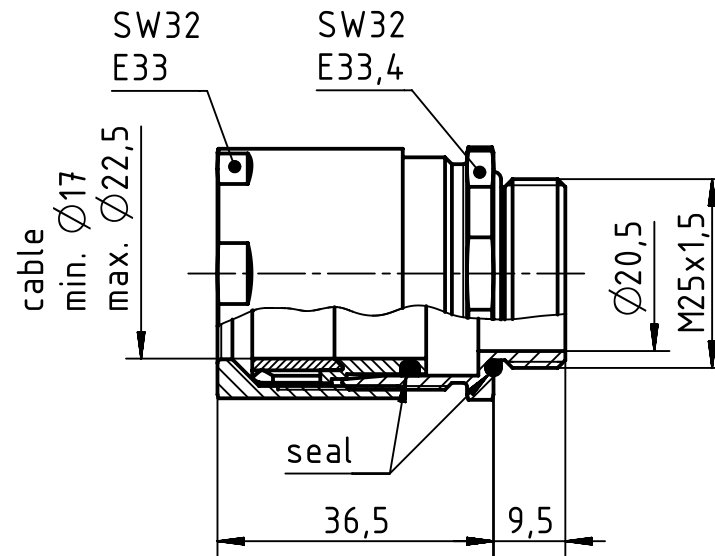
1 2 3 4 5 6


A

B

C

D



	All rights reserved Department EL PD	HARTING Electric GmbH & Co. KG D-32339 Espelkamp	All Dimensions in mm Original Size DIN A4	Scale 1:1	Free size tol.	Ref. Sub.	Created by TEICHRIBR	Inspected by RIEPE	Standardisation GARSKE	Date 2019-05-03	State Final Release	Doc-Key / ECM-Nr. 100688743/UGD/001/E 500000150838
	Title Spec. Cable Gland M25 Cable-Ø17-22.5		Type TB	Number 19 00 000 5025	Rev. E	Page 1/1						